



# ***FLOWWORKS***

# ***ICS***

---

**INSTRUMENT CONNECTION  
SYSTEMS**

# VALVES

- Design to ASME B16.34 and API 608 in various materials
- Dual packing, Firesafe API 607 and FE API 641, with easy access gland nut for packing adjustments
- Options for Extended Bonnets, Self-Relieving Seats or Vented Ball, custom end connections, and more
- Oval Handle, lockable with visual position indicator
- Bi-Directional Seating
- Blowout-Proof Stem
- ISO5211 Mounting Pad

# LADISH



# CHAODA



# ***PRODUCTS***

**INSTRUMENT VALVES, INSTRUMENT CONNECTION SYSTEMS, FLUSH RINGS**

# ***SERVICES***

**ISO CERTIFIED, ENGINEERING, PRODUCTION & TESTING**

# ***SOLUTIONS***

**SPECIAL INSTRUMENT CONNECTION SYSTEMS (ICS), OVER 250 CONFIGURATIONS WHICH CAN BE CUSTOMIZED INTO HUNDREDS OF ICS SOLUTIONS**

## ***LEVEL MEASUREMENT FLUSH RINGS CONNECTION SYSTEMS***

Flush Rings are drilled and tapped on both sides of the flange for safety

Various applications, pressure ratings and materials

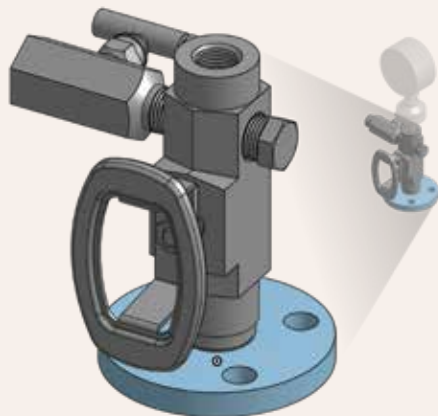
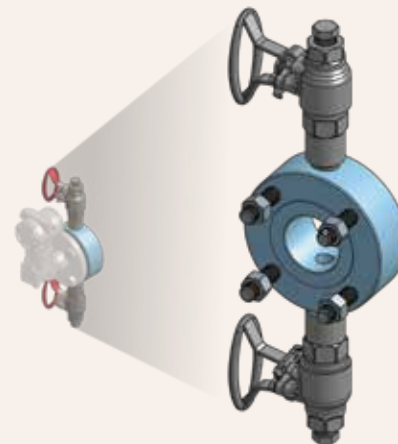
Welded ball, gate or globe valves available for vent / flush / drains

Bolt on diaphragm seals available in universal seal, ASME B16.5 or DIN

Concentric and eccentric flush ring configurations that meet ASME thickness standards on both the process and instrument connections

Eccentric flush rings are available with different connections on the same ring to increase the area on the instrument connection. E.g. - 2" process connection and 3" instrument connection

Available with robust root valves that are designed as process valves (see valve literature)



## ***PRESSURE MEASUREMENT CONNECTION SYSTEMS***

Direct mount pressure transmitters to root valves in flanged, threaded or welded pipe connections

Applications for pressure in conjunction with flush rings and/or transmitters

Available with robust root valves that are designed as process valves (see valves literature)

Direct mount pressure gauge to root valves in flanged, threaded or welded pipe connections

Various applications, pressure ratings and material.

## ***FLOW MEASUREMENT CONNECTION SYSTEMS***

Compact orifice, wedge or venture connections

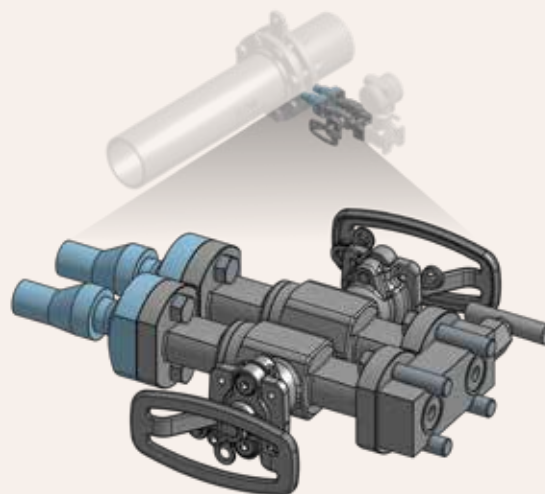
Various applications, pressure ratings and material.

Designs for horizontal and vertical applications with supported or non-supporting designs

Pressure compensated DP flow including steam and cryogenic

IEC 61518 I-flange or ASME B16.5 flanged or direct pipe connection available

Available with robust root valves that are designed as process valves (see valves literature)





# SUNBELT BRANCHES IN NORTH AMERICA & WORLDWIDE

## HEADQUARTERS

3750 Pasadena Freeway  
Pasadena, TX 77503

Email: [IHSales@sunbeltsupply.com](mailto:IHSales@sunbeltsupply.com)  
Sales: +1 (833) 233-6010

For local support call your  
nearest branch listed below.

## SOUTH

### PASADENA, TX

3750 Hwy. 225  
Pasadena, TX 77503

Tel: +1 (713) 672-2222

### HOUSTON, TX

Sales Office  
8835 North Sam Houston Pkwy W  
Houston, TX 77064

Tel: +1 (713) 672-2222

### CORPUS CHRISTI, TX

1142 North Padre Island Dr.  
Corpus Christi, TX 78404

Tel: +1 (361) 792-7100

### FREEPORT, TX

2811 FM 523  
Freeport, TX 77541

Tel: +1 (979) 233-9686

### LONGVIEW, TX

1612 East Whaley St.  
Longview, TX 75601

Tel: +1 (903) 753-2500

### NEDERLAND, TX

**Valves and Automation**  
1910 Industrial Park Road  
Nederland, TX 77627

Tel: +1 (409) 724-0969

### PFF

2004 Industrial Park Road  
Nederland, TX 77627

Tel: +1 (409) 729-0647

### PORT LAVACA, TX

2208 Hwy. 35 N.  
Port Lavaca, TX 77979

Tel: +1 (361) 552-0061

### TEXAS CITY, TX

2407 TX-146  
Texas City, TX 77590

Tel: +1 (409) 945-3240

### SULPHUR, LA

3365 East Napoleon St.  
Sulphur, LA 70663

Tel: +1 (337) 626-0440

### LULING, LA

382 Judge Edward Dufresne Pkwy.  
Luling, LA 70070

Tel: +1 (985) 785-0007

### BATON ROUGE, LA

15445 W. Old Perkins Rd.  
Baton Rouge, LA 70810

Tel: +1 (225) 753-6666

### TULSA, OK

3742 South Maybelle Ave.  
Tulsa, OK 74107

Tel: +1 (918) 445-1656

### MOBILE, AL

912 Lakeside Dr.  
Mobile, AL 36693

Tel: +1 (251) 288-6940

### TRUSSVILLE, AL

4251 Praylor Way Suite 121  
Trussville, AL 35173

Tel: +1 (205) 655-1163

## CENTRAL

### MIDLAND, MI

3201 Bay City Rd.  
Midland, MI 48642

Tel: +1 (989) 488-4640

### CINCINNATI, OH

11 Sunnybrook Drive  
Cincinnati, Ohio 45237

Tel: +1 (513) 275-3203

### CHICAGO, IL

21800 Lagrange  
Frankfort, IL 60423

Tel: +1 (708) 757-4595

### JOHNSON CITY, TN

2212 Buffalo Road, Suite 100  
Johnson City, TN 37604

Tel: +1 (423) 767-7137

## WEST

### CARSON, CA

17129 Kingsview Ave.  
Carson, CA 90746

Tel: +1 (310) 327-7750

### LIVERMORE, CA

4754 Bennett Dr., Unit B  
Livermore, CA 94551

Tel: +1 (925) 449-5900

### BILLINGS, MT

1309 Monad Rd.  
Billings, MT. 59101

Tel: +1 (406) 200-6526

## EAST

### LAKELAND, FL

4355 Drane Field Rd.  
Lakeland, FL 33811

Tel: +1 (863) 646-1493

### CHARLOTTE, NC

13315 Carowinds Blvd., Suite P  
Charlotte, NC 28273

Tel: +1 (704) 526-4700

### EDISON, NJ

210 McGaw Dr.  
Edison, NJ 08837

Tel: +1 (732) 727-8165

## CANADA

### EDMONTON, AB

Unit 26 6194- 50th street  
Edmonton, Alberta T6B 2N7

Tel: +1 (780) 468-3999

### REGINA, SK

17 Industrial Drive West  
Regina, SK S4L 1C6

Tel: +1 (306) 988-8523

## CHINA

### SHANGHAI

3rd Floor, Bldg#2, No.388, Minshen  
Road Songjiang District  
Shanghai, 201612

Tel: +86 21 6766 2201

## NETHERLANDS

### ROTTERDAM

Keurmeesterstraat 25B  
Ridderkerk, 2984BA

Tel: +31 (0)180 470 050



"Our approach is that if it makes good business sense, is legal and moral, we will do whatever we can to ensure things go exceedingly well for our customers. Our experience has taught us that transparency, honesty and flexibility are the foundation to providing superior customer service."

- LARRY FELD, CO-FOUNDER and CHAIRMAN

---

## ***SAFETY POLICY***

Sunbelt Supply is committed to consistently conducting business that provides an injury-free and healthy workplace. As a team, this will be accomplished without compromising our commitment to pollution prevention practices, and the health and safety of our employees.

## ***QUALITY POLICY***

As the leading flow solutions experts, Sunbelt Supply strives to exceed customer and industry standards. Our strategic, global network of branches are committed to delivering quality products, technical support and critical services in a prompt, consistent and accurate manner. Sunbelt Supply is dedicated to continuous improvement ensuring that the highest quality is reflected in every transaction conducted by our united network of branches.

SUNBELTSUPPLY.COM