



FLOWORKS

ICS

**INSTRUMENT CONNECTION
SYSTEMS**

LEVEL MEASUREMENT FLUSH RINGS CONNECTION SYSTEMS

Flush Rings are drilled and tapped on both sides of the flange for safety

Various applications, pressure ratings and materials

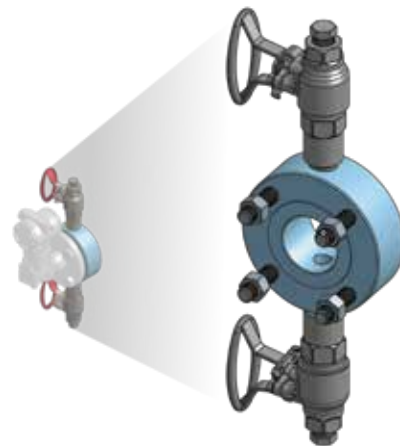
Welded ball, gate or globe valves available for vent / flush / drains

Bolt on diaphragm seals available in universal seal, ASME B16.5 or DIN

Concentric and eccentric flush ring configurations that meet ASME thickness standards on both the process and instrument connections

Eccentric flush rings are available with different connections on the same ring to increase the area on the instrument connection. E.g. - 2" process connection and 3" instrument connection

Available with robust root valves that are designed as process valves (see valve literature)



PRESSURE MEASUREMENT CONNECTION SYSTEMS

Direct mount pressure transmitters to root valves in flanged, threaded or welded pipe connections

Applications for pressure in conjunction with flush rings and/or transmitters

Available with robust root valves that are designed as process valves (see valves literature)

Direct mount pressure gauge to root valves in flanged, threaded or welded pipe connections

Various applications, pressure ratings and material.

FLOW MEASUREMENT CONNECTION SYSTEMS

Compact orifice, wedge or venture connections

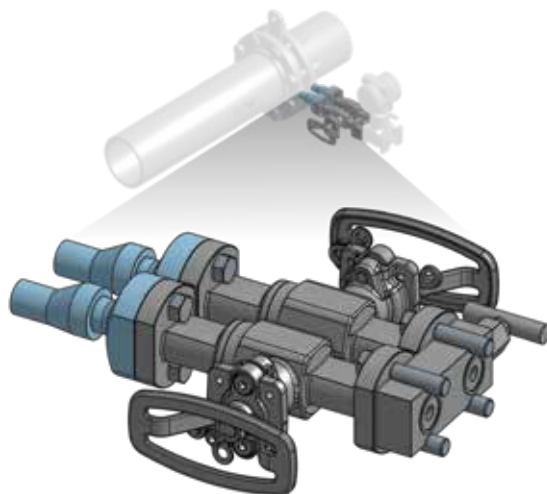
Various applications, pressure ratings and material.

Designs for horizontal and vertical applications with supported or non-supporting designs

Pressure compensated DP flow including steam and cryogenic

IEC 61518 I-flange or ASME B16.5 flanged or direct pipe connection available

Available with robust root valves that are designed as process valves (see valves literature)



PRODUCTS

INSTRUMENT VALVES, INSTRUMENT CONNECTION SYSTEMS, FLUSH RINGS

SERVICES

ISO CERTIFIED, ENGINEERING, PRODUCTION & TESTING

SOLUTIONS

SPECIAL INSTRUMENT CONNECTION SYSTEMS (ICS), OVER 250 CONFIGURATIONS WHICH CAN BE CUSTOMIZED INTO HUNDREDS OF ICS SOLUTIONS

VALVES

- Design to ASME B16.34 and API 608 in various materials
- Dual packing, Firesafe API 607 and FE API 641, with easy access gland nut for packing adjustments
- Options for Extended Bonnets, Self-Relieving Seats or Vented Ball, custom end connections, and more
- Oval Handle, lockable with visual position indicator
- Bi-Directional Seating
- Blowout-Proof Stem
- ISO5211 Mounting Pad

LADISH



CHAODA





FLOWORKS BRANCHES NORTH AMERICA & WORLDWIDE

HEADQUARTERS

**3750 Pasadena Freeway
Pasadena TX 77503
Email: IHSales@FloWorksICS.com
Sales: (833) 233-6010**

For local support, call your
nearest branch listed below

**FloWorks is a family of award-winning companies that includes
Sunbelt Supply, Major Inc, National Valve and Severe Service Specialists.**

CANADA

EDMONTON, AB

182 Turbo Drive East
Sherwood Park, Alberta T8H 2J6
Tel: (780) 468-3999
EdmontonSales@sunbeltsupply.com

REGINA, SK

17 Innovation Drive
Emerald Park, SK S4L 1C6
Tel: (306) 988-8523
ReginaSales@sunbeltsupply.com

CHINA

SHANGHAI

3rd Floor, Bldg#2, No.388, Minshen
Road Songjiang District
Shanghai, 201612
Tel: +86 139 1718 4771
ChinaSales@sunbeltsupply.com

USA

BATON ROUGE, LA

15445 W. Old Perkins Rd.
Baton Rouge, LA 70810
Tel: (225) 753-6666
BatonRougeSales@sunbeltsupply.com

BILLINGS, MT

1309 Monad Rd.
Billings, MT 59101
Tel: (406) 200-6526
BillingsSales@sunbeltsupply.com

CARSON, CA

17129 Kingsview Ave.
Carson, CA 90746
Tel: (310) 327-7750
CarsonSales@sunbeltsupply.com

CHICAGO, IL

21800 Lagrange
Frankfort, IL 60423
Tel: (708) 757-4595
ChicagoSales@sunbeltsupply.com

CINCINNATI, OH

11 Sunnybrook Drive
Cincinnati, OH 45237
Tel: (513) 275-3203
CincinnatiSales@sunbeltsupply.com

CORPUS CHRISTI, TX

1142 North Padre Island Dr.
Corpus Christi, TX 78406
Tel: (361) 792-7100
CorpusChristiSales@sunbeltsupply.com

DAPHNE, AL

26374 Pollard Rd., Ste. B
Daphne, AL 36601
Tel: (251) 288-6940
LulingSales@sunbeltsupply.com

EDISON, NJ

210 McGaw Dr.
Edison, NJ 08837
Tel: (732) 727-8165
Sales@majorinc.com

FREEMONT, TX

2811 FM 523
Freeport, TX 77541
Tel: (979) 233-9686
FreeportSales@sunbeltsupply.com

GEISMAR

6122 Commerce Pointe Dr.
Geismar, LA 70734
Tel: (225) 335-0343

KINGSPORT, TN

2453 Sherwood Rd.
Kingsport, TN 37664
Tel: (423) 767-7137
KingsportSales@sunbeltsupply.com

LA PORTE, TX

Pipe, Fittings, and Flanges
41912 S. 16th St., Ste. 100
La Porte, TX 77571
Tel: (713) 672-2222
LaPorteSales@sunbeltsupply.com

LAKELAND, FL

4355 Drane Field Rd.
Lakeland, FL 33811
Tel: (863) 646-1493
LakelandSales@sunbeltsupply.com

LONGVIEW, TX

1612 East Whaley St.
Longview, TX 75601
Tel: (903) 753-2500
LongviewSales@sunbeltsupply.com

LULING, LA

382 Judge Edward Dufresne Pkwy.
Luling, LA 70070
Tel: (985) 785-0007
LulingSales@sunbeltsupply.com

MIDLAND, MI

3201 Bay City Rd.
Midland, MI 48642
Tel: (989) 488-4640
MidlandSales@sunbeltsupply.com

NEDERLAND, TX

Valves and Automation
1910 Industrial Park Road
Nederland, TX 77627
Tel: (409) 724-0969
NederlandSales@sunbeltsupply.com

NEDERLAND, TX

Pipe, Fittings, and Flanges
2004 Industrial Park Road
Nederland, TX 77627
Tel: (409) 724-0647
SouthwestSales@gofloworks.com

PASADENA, TX

Valves and Automation
3750 Hwy. 225 (Pasadena Fwy.)
Pasadena, TX 77503
Tel: (713) 672-2222
PasadenaSales@sunbeltsupply.com

PORT LAVACA, TX

2129 State Hwy 35 N
Port Lavaca, TX 77979
Tel: (361) 552-0061
PortLavacaSales@sunbeltsupply.com

SULPHUR, LA

Lake Charles
3365 East Napoleon St.
Sulphur, LA 70663
Tel: (337) 626-0440
SulphurSales@sunbeltsupply.com

TEXAS CITY, TX

2407 TX-146
Texas City, TX 77590
Tel: (409) 945-3240
TexasCitySales@sunbeltsupply.com

TRUSSVILLE, AL

4251 Praylor Way, Ste. 121
Trussville, AL 35173
Tel: (205) 555-1163

TULSA, LA

3742 South Maybelle Ave.
Tulsa, OK 74107
Tel: (918) 445-1656
TulsaSales@sunbeltsupply.com



FloWorks International, together with its family of companies that include Sunbelt Supply, Major Inc. and Triple S, is a leading specialty supplier of industrial flow control products and an expert provider of tailored technical solutions to downstream and industrial end markets. Headquartered in Houston, Texas and operating 26 facilities across North America, Europe, and Asia, FloWorks delivers a broad spectrum of valve and automation services and specialty MRO PVF. FloWorks' global reach, close proximity to customers, and technical expertise enables FloWorks to serve as a critical link between suppliers and customers.

SAFETY POLICY

Floworks International is committed to consistently conducting business that provides an injury-free and healthy workplace. As a team, this will be accomplished without compromising our commitment to pollution prevention practices, and the health and safety of our employees.

QUALITY POLICY

As the leading flow solutions experts, Floworks International strives to exceed customer and industry standards. Our strategic, global network of branches are committed to delivering quality products, technical support and critical services in a prompt, consistent and accurate manner. Sunbelt Supply is dedicated to continuous improvement ensuring that the highest quality is reflected in every transaction conducted by our united network of branches.

Also Sold Through



SEVERE SERVICE SPECIALISTS



FLOWORKSICS.COM
SUNBELTSUPPLY.COM
SSSVVALVE.COM
MAJORINC.COM